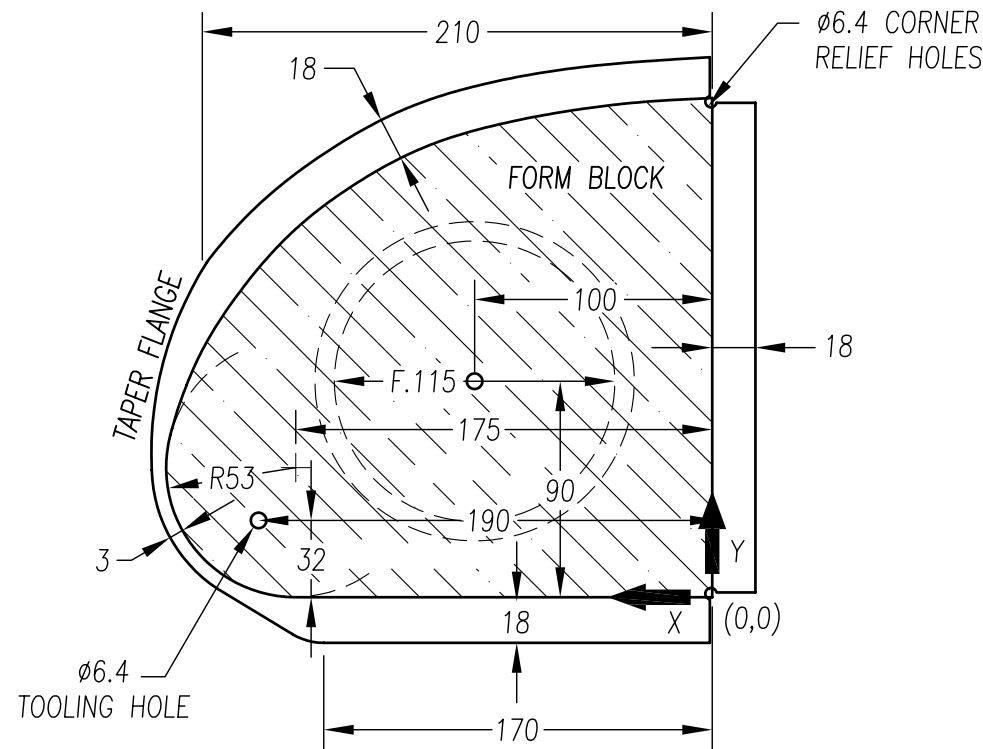
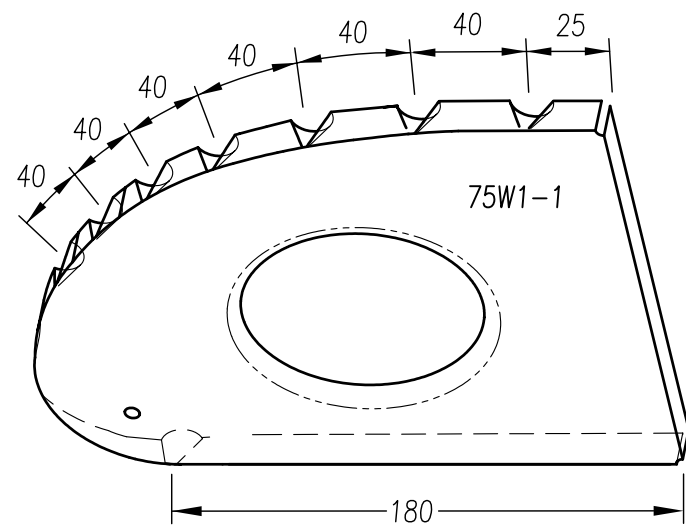


NOSE RIB FORM BLOCK

X=	0	30	60	90	120	150	175	200	220
Y=	208	206.3	202.6	196.8	187.5	171.4	152.1	122.9	85.8



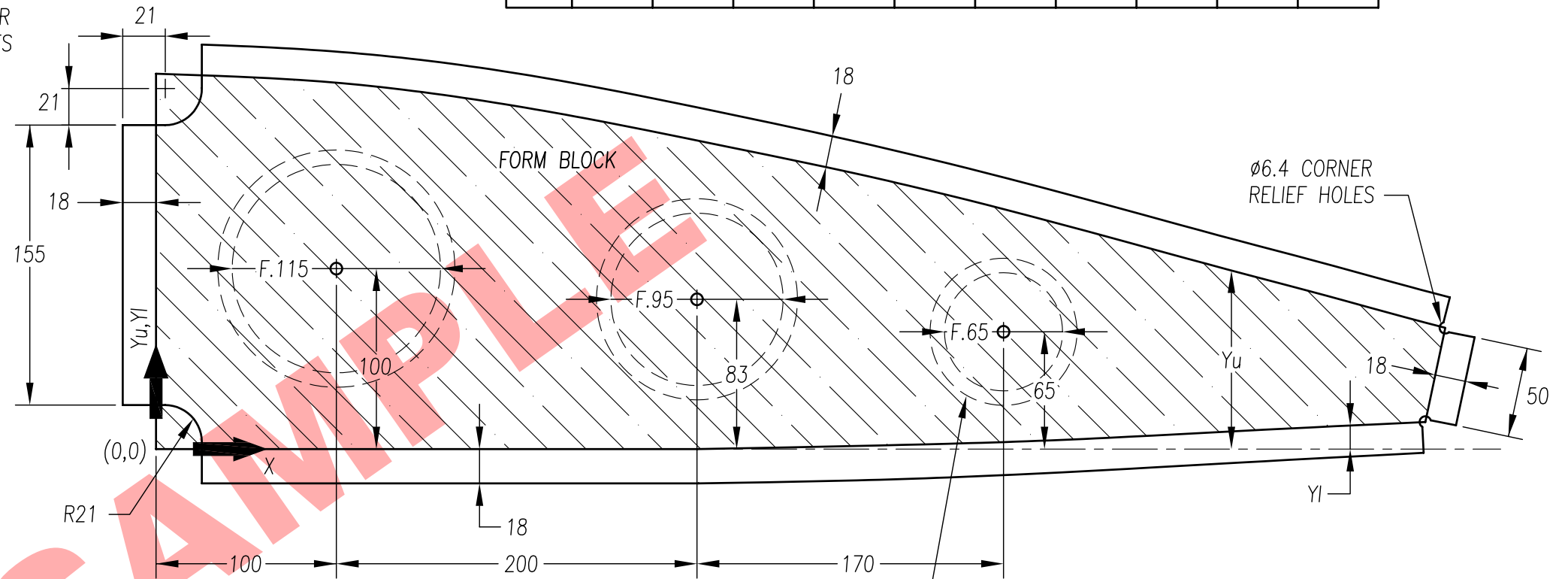
**1** WING NOSE RIB  
 t=.025inch 6061-T6 (6L + 6R REQ'D)  
 SUPPLIED PRE-DRILLED



7 CRIMPS IN TOP FLANGE  
 1 CRIMP IN BOTTOM FLANGE

REAR RIB FORM BLOCK

X=	0	100	200	300	400	500	600	700	703.9	715
Y <sub>u</sub> =	208	203	190	171	150	125.1	98	71.1	--	67.2
Y <sub>l</sub> =	0	0	0	0	2	5	10	14.8	15	--

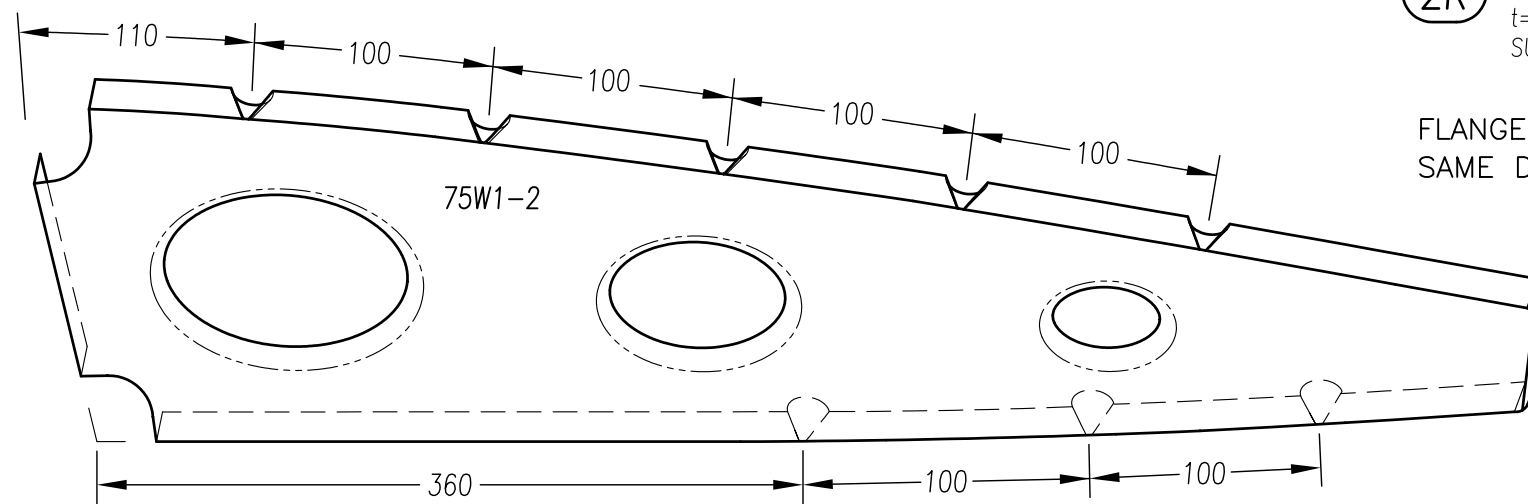


THE LEFT & RIGHT REAR RIB 75W1-2K AT STATION 280 (RR1)  
 DO NOT HAVE 65MM FLANGED LIGHTENING HOLE TO MAKE  
 ROOM FOR WING TANK OUTLET

**2** WING REAR RIB  
 t=.025inch 6061-T6 (5L + 5R REQ'D)  
 SUPPLIED PRE-DRILLED

**2K** WING TANK REAR RIB  
 t=.025inch 6061-T6 (1L + 1R REQ'D)  
 SUPPLIED PRE-DRILLED

FLANGED LIGHTENING HOLE IN THE  
 SAME DIRECTION AS THE RIB FLANGE



5 CRIMPS IN TOP FLANGE  
 3 CRIMPS IN BOTTOM FLANGE

STOL CH 750	WING RIBS	75-W-1
	copyright © 2008 CHRIS HEINTZ	zenithair.com